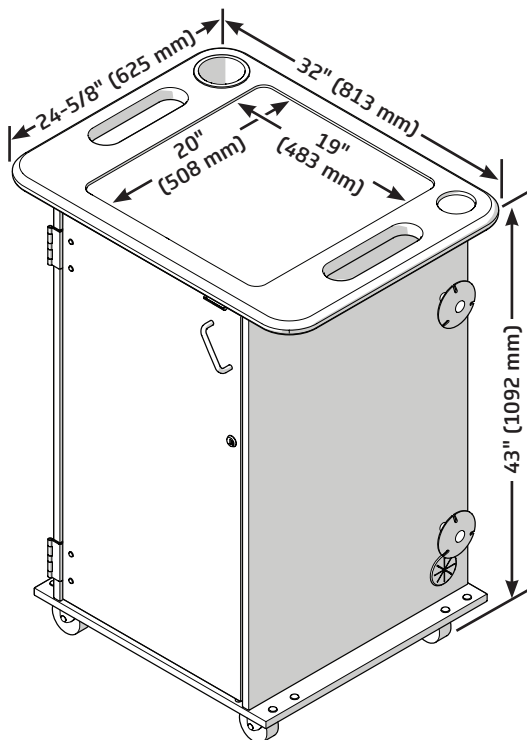


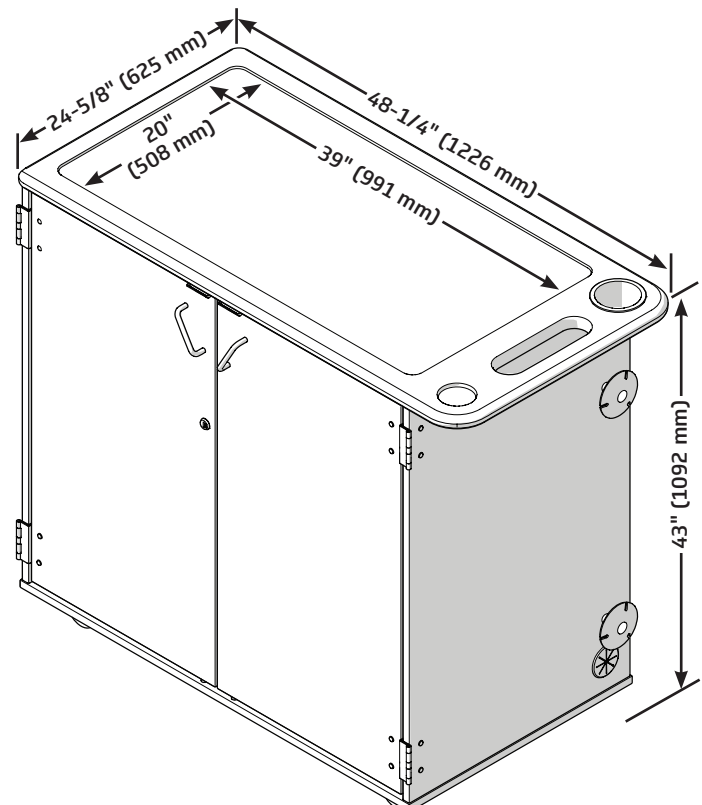
Mobile Media Storage Cabinets

- Cabinets are constructed 3/4" (19 mm) thick industrial grade composite wood with no added formaldehyde and polyester laminate finish in Wenger standard colors
- Bottom is constructed of Vencore plywood for extra strength
- Edging is 1/8" (3 mm) radiused PVC
- Available in one column or two column sizes:
 - 1 column 32"w x 24-5/8"d x 43"h (813 x 625 x 1092 mm)
 - 2 column 48-1/4"w x 24-5/8"d x 43"h (1226 x 625 x 1092 mm)
- Full locking wood doors with 270° hinges to swing door fully open
- Each column of the cabinet is available in two types:
 - Standard: allows for addition of shelves and drawers
 - Rack mount: steel 7-unit rack mount section with one mounted power strip included and cage nuts to attach electronic components; unit folds down on hinge for access to cords in back (fixed shelf above and below rack mount)

Two column has space above and below for storage; one column has space to add 4" (102 mm) drawer, slide out shelf or both
- Two column cabinet includes full width slide out shelf width 39-1/2"w x 16"d (1003 x 406 mm)
- Cable management with clips, cable pass through and cord wrap
- Steel pilaster rail allows for mounting of shelves, slide-outs and drawers with ability to reposition along the length at 1/2" (13 mm) increments
- Work surface top is constructed of thermofoil wrap over composite panel for high wear resistance; it includes an integrated handle and cup holder
- 4" (102 mm) durable, smooth rolling swivel casters
- Drawers and slide-outs are preinstalled but can be repositioned; adjustable shelves are packaged loose for customer preferred installation
- Two 5-knuckle steel hinges per door with powder-coated paint finish, through-bolted to door and side panels
- Front keyed lock comes standard or may be substituted for a programmable digital lock; rear keyed lock allows additional access to components
- Cabinets are shipped assembled
- Ten-year warranty; optional power strips, digital locks and other electronic equipment are covered by the individual manufacturer's warranty



1-Column Mobile Media Storage Cabinet



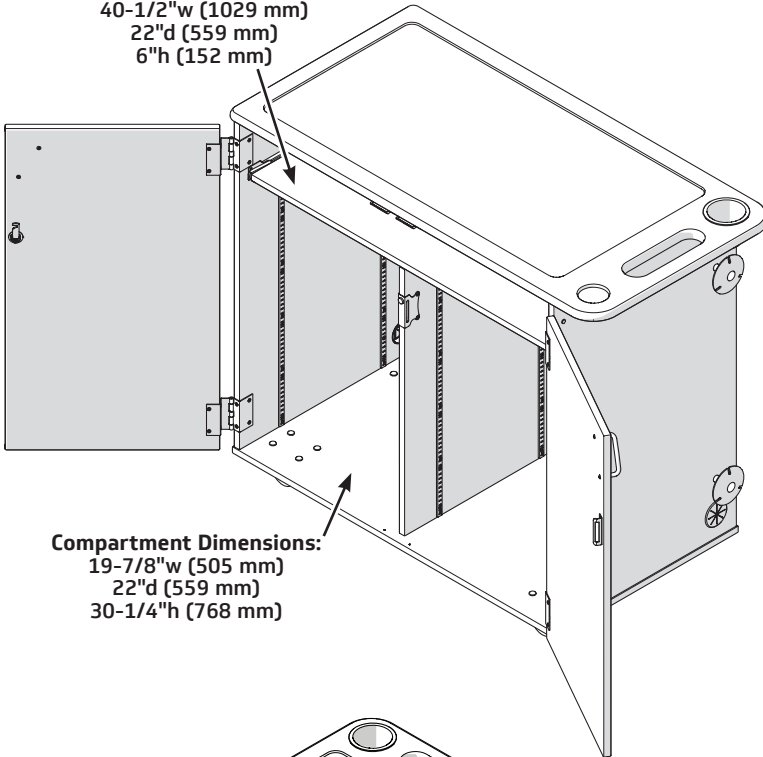
2-Column Mobile Media Storage Cabinet

Optional Interiors

- Adjustable shelves, notched to allow space for cords
- Slide out shelves, can be repositioned along pilaster
- 4" drawer is constructed of steel
- File drawer is constructed of steel and includes adjustable mounting bar for hanging file folders, standard or legal sized
- 19" steel 7-unit rack mount section with one rack mounted power strip

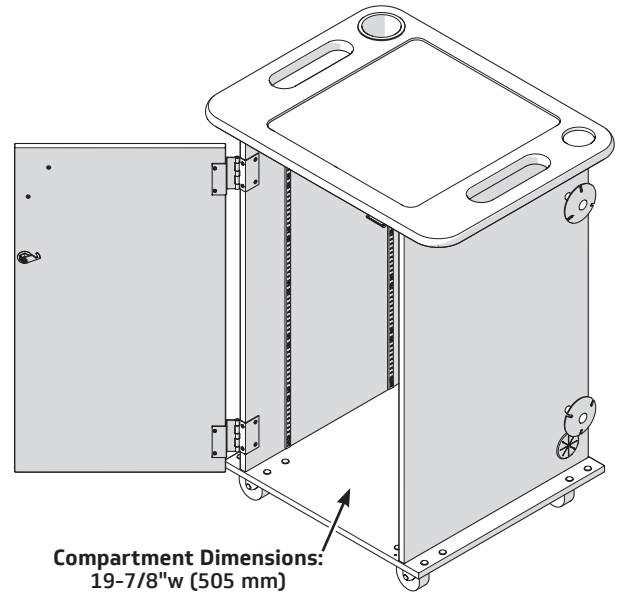
Compartment Dimensions:

40-1/2" w (1029 mm)
22" d (559 mm)
6" h (152 mm)



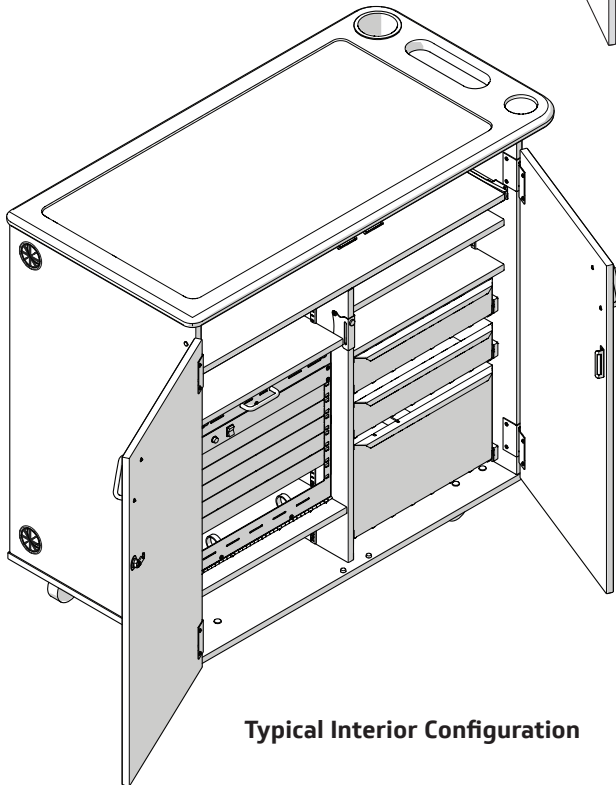
Compartment Dimensions:

19-7/8" w (505 mm)
22" d (559 mm)
30-1/4" h (768 mm)

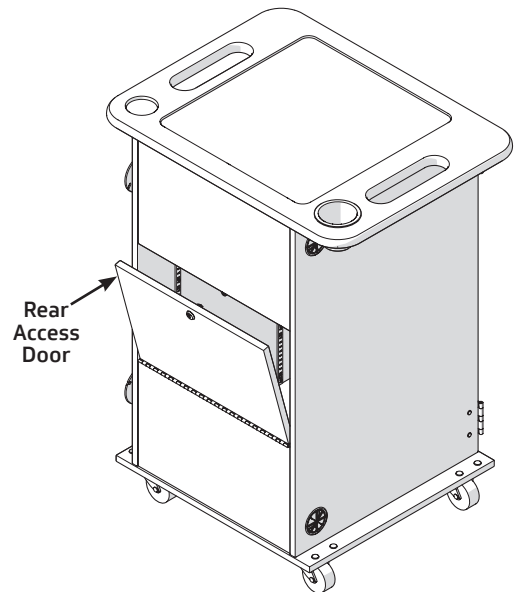


Compartment Dimensions:

19-7/8" w (505 mm)
22" d (559 mm)
37" h (940 mm)



Typical Interior Configuration



Wenger

JRCLANCY

GEARBOSS

© 2024 Wenger Corporation
USA/2024-03

Minnesota Location

Wenger Phone 800.4WENGER (493-6437) Wenger Worldwide +1.507.455.4100 | Parts & Service 800.887.7145 | wengercorp.com

GearBoss Phone 800.493.6437 | gearboss.com

555 Park Drive, PO Box 448 | Owatonna | MN 55060

New York Location

J.R. Clancy Phone 800.836.1885 JR Clancy Worldwide +1.315.451.3440 | jrclancy.com | 7041 Interstate Island Road | Syracuse | NY 13209